

Your partner:

Enquiry Order

Reference no. (Customer)

Customer no.:	<input type="text"/>	Order address:	<input type="text"/>
Customer:	<input type="text"/>		<input type="text"/>
Contact person:	<input type="text"/>	Delivery address:	<input type="text"/>
Telephone:	<input type="text"/>		<input type="text"/>
E-mail:	<input type="text"/>	Requested delivery date:	<input type="text"/>

Edscha TS SB-Profi Roof

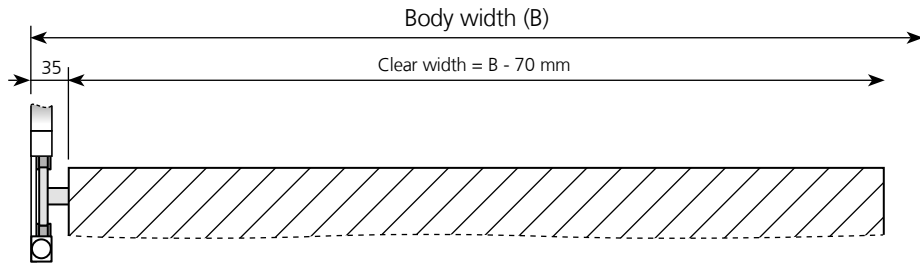
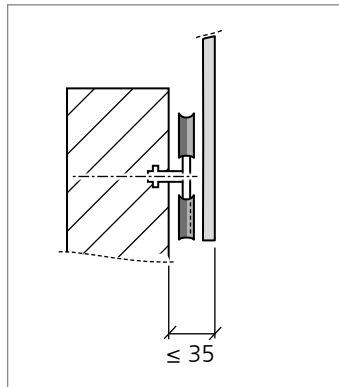
Basic roof components

Design Standard
(see page 8)

Design Volume
with additional folding brackets (see page 8)
Suitable for optimised loading height

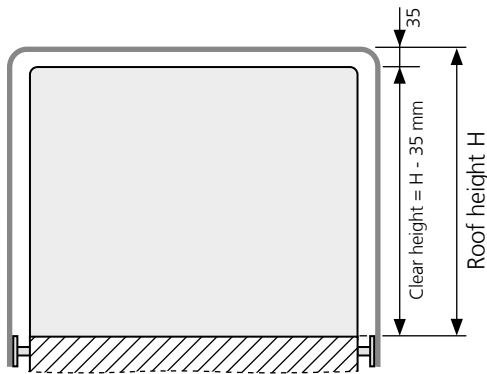
Quantity of roofs with identical parameters

Piece **Roof length (V):**



Body width (B)*: mm

** Indications from 2250 - 3000 mm in 50 mm steps possible.
(Clear width: 2280 - 2630 mm)*



Roof height (H)*: mm

** Indications from 2250 - 3000 mm in 50 mm steps possible.
(Clear height: 2215 - 2965 mm)*

Made from standard parts by customer incl. adaptation of bulkhead lock

Standard design

- front wall closure, rear floor closure
- can be operated from below on one side
- slidable on both sides
- incl. running rails and lock
- equipped for roller tarpaulin at the bulkhead as standard

Necessary construction components tarpaulin (see page 12-13)

Roof tarpaulin SB-P3 (white)

Side tarpaulin left SB-P3 – please enter color number, **Color:** *Color 01 to Color 48 possible, see page 13*

Side tarpaulin right SB-P3 – please enter color number, **Color:** *Color 01 to Color 48 possible, see page 13*

Optional construction components (see page 14)

- Softdoor (hook catch)
- Bulkhead lock on rear side too instead of bottom locking handle *In Planung*
- Bottom locking handle also at the front instead of bulkhead lock (tarpaulin tension reduced) *In Planung*

Optional tarpaulin lettering (see page 14-15)

Please be sure to observe the guidelines for data transfer on page 15!

Digital printing (pixel and vector data, photos, graphics, fonts) Number of attachments:

File formats bitmaps:

- TIFF file (without compression)
- JPG file (without compression)
- EPS file

File formats layout data:

- Adobe Illustrator
- Adobe InDesign
- CorelDraw (up to version 21 - 2019)
- PDF (PDF/X-4)

- Side tarpaulin left**
File name (incl. suffix):

- use same file also for side tarpaulin on the right*
- Side tarpaulin right (if different from left)**
File name (incl. suffix):

- SoftDoor**
File name (incl. suffix):

conventional lettering (Vector data only: Logo, lettering) Number of attachments:

File formats :

- Vector data as EPS, AI or PDF

- Side tarpaulin left**
File name (incl. suffix):

- use same file also for side tarpaulin on the right*
- Side tarpaulin right (if different from left)**
File name (incl. suffix):

- SoftDoor**
File name (incl. suffix):

©All rights are held by European Trailer Systems GmbH, including those for patent applications. All powers of disposal, such as copying and dissemination rights, are held by us. Please note the copyright notice according to DIN ISO 16016!